

# Metso:Outotec

## Wear parts fastening kit

Application

For GP series  
cone crushers



Metso Outotec Outotec OEM fastening parts are easy to use and backed by our quality and years of improvements to supply the best fit.

Our OEM fastening parts consistently provide the proper strength to keep wear parts continuously working for maximum production.



Fastening parts offer quality, efficiency and safety

### Available parts

- Bowl liner and mantle fastening package

### Quality

Metso Outotec works with quality suppliers to ensure our high standards and strict tolerances are met.

### Efficiency

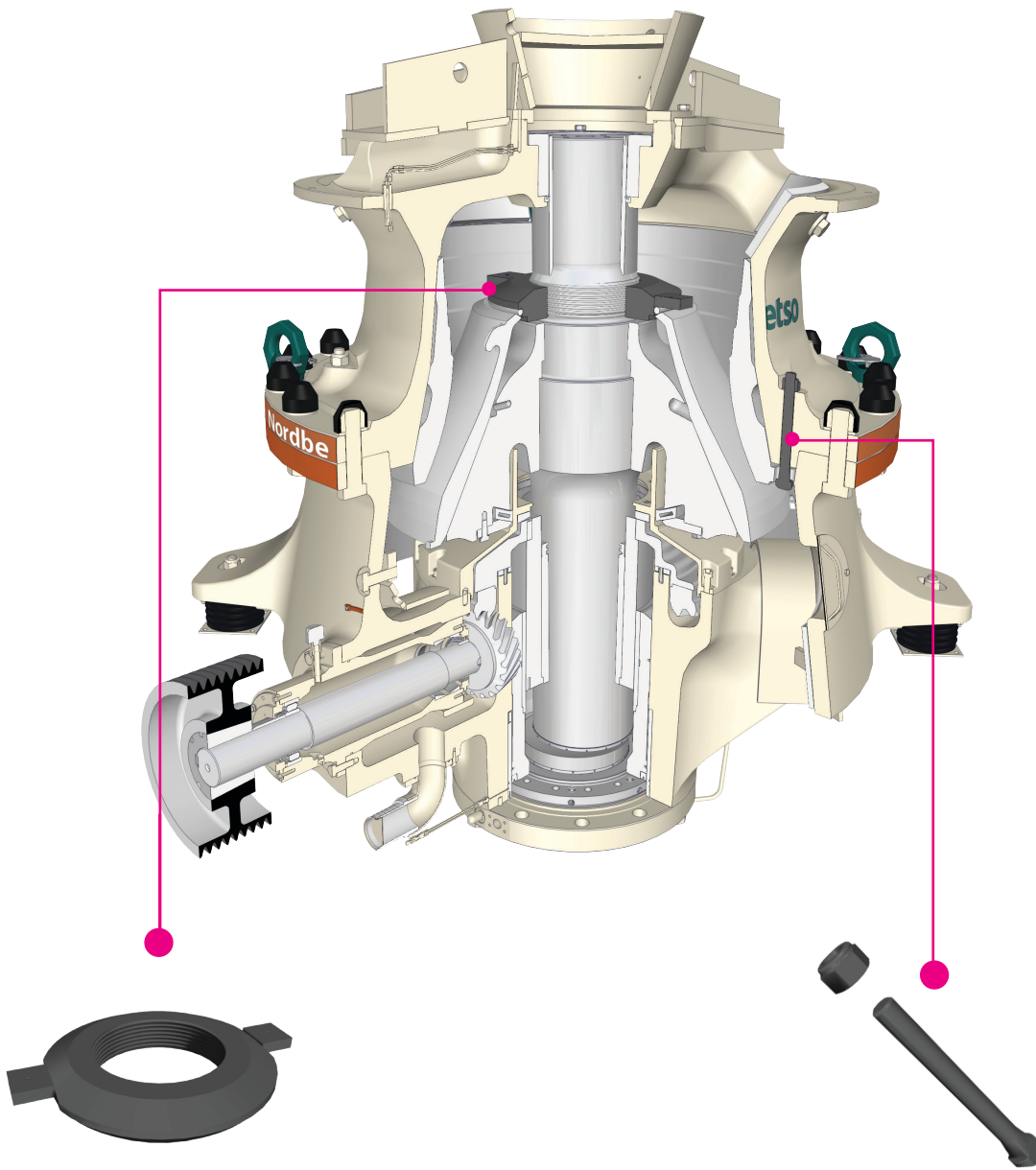
We have identified the important spares to have available for wear part changes. Ease of assembly and disassembly of the main components contribute for reduced downtime.

### Safety

To achieve unsurpassed safety, carefully selected materials are used to ensure safety standards are not compromised.

### Benefits

- 100 years of equipment expertise
- High kit availability through our global distribution centers
- Maximize production time by reducing unplanned stoppages
- Minimize costs as kits contain the key parts needed



- Mantle locking nut

- Screws
- Hexagonal nuts

(\*) Parts and quantities in each package may vary between different machine sizes. For further information, please contact your nearest Metso Outotec representative.

[www.mogroup.com](http://www.mogroup.com)

Specifications in this document are subject to change without notice. Product names in this publication are all trademarks of Metso Corporation.

# Metso:Outotec

## Wear parts fastening kit

Application

For MX series  
cone crushers



Metso Outotec OEM fastening parts are easy to use and backed by our quality and years of improvements to supply the best fit.

Our OEM fastening parts consistently provide the proper strength to keep wear parts continuously working for maximum production.



Fastening parts offer quality, efficiency and safety

### Available parts

- Lock bolt fastening package
- Locking wedge package

### Quality

Metso Outotec works with quality suppliers to ensure our high standards and strict tolerances are met.

### Efficiency

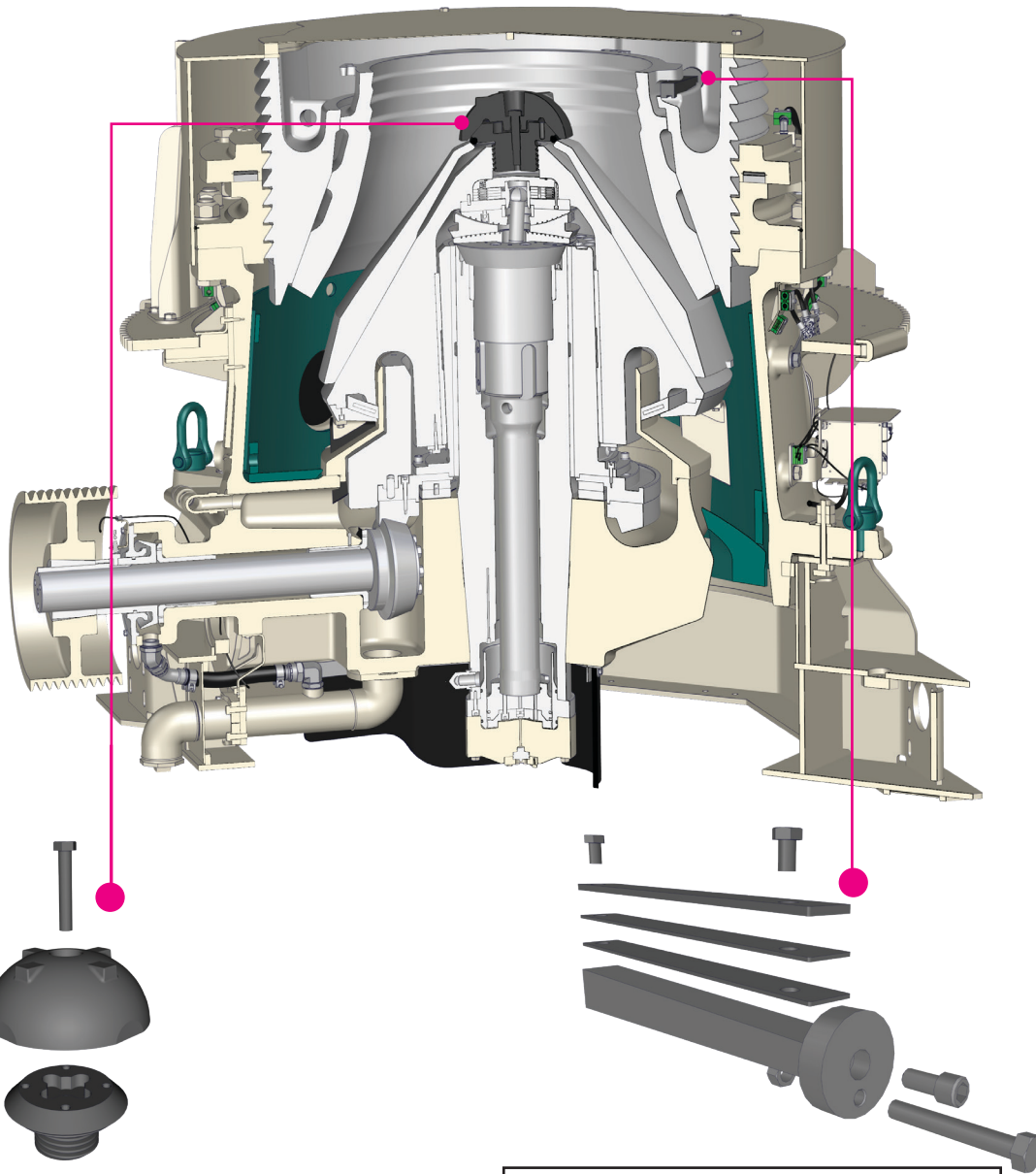
We have identified the important spares to have available for wear part changes. Ease of assembly and disassembly of the main components contribute for reduced downtime.

### Safety

To achieve unsurpassed safety, carefully selected materials are used to ensure safety standards are not compromised.

### Benefits

- 100 years of equipment expertise
- High kit availability through our global distribution centers
- Maximize production time by reducing unplanned stoppages
- Minimize costs as kits contain the key parts needed



**Lock bolt package\***

- Lock bolt
- Feed cone
- Hexagonal screw

**Locking wedge package\***

- Locking wedges
- Stoppers
- Hexagon socket head cap screws
- Hexagonal nuts
- Hexagonal screws
- Shim plates

(\*) Parts and quantities in each package may vary between different machine sizes. For further information, please contact your nearest Metso Outotec representative.

[www.mogroup.com](http://www.mogroup.com)

Specifications in this document are subject to change without notice. Product names in this publication are all trademarks of Metso Corporation.

# Metso:Outotec

## Wear parts fastening kit

Application

For HP hundred series cone crushers



Metso Outotec OEM fastening parts are easy to use and backed by our quality and years of improvements to supply the best fit.

Our OEM fastening parts consistently provide the proper strength to keep wear parts continuously working for maximum production.



Fastening parts offer quality, efficiency and safety

### Available parts

- Lock bolt fastening package
- Bowl liner fastening package

### Quality

Metso Outotec works with quality suppliers to ensure our high standards and strict tolerances are met.

### Efficiency

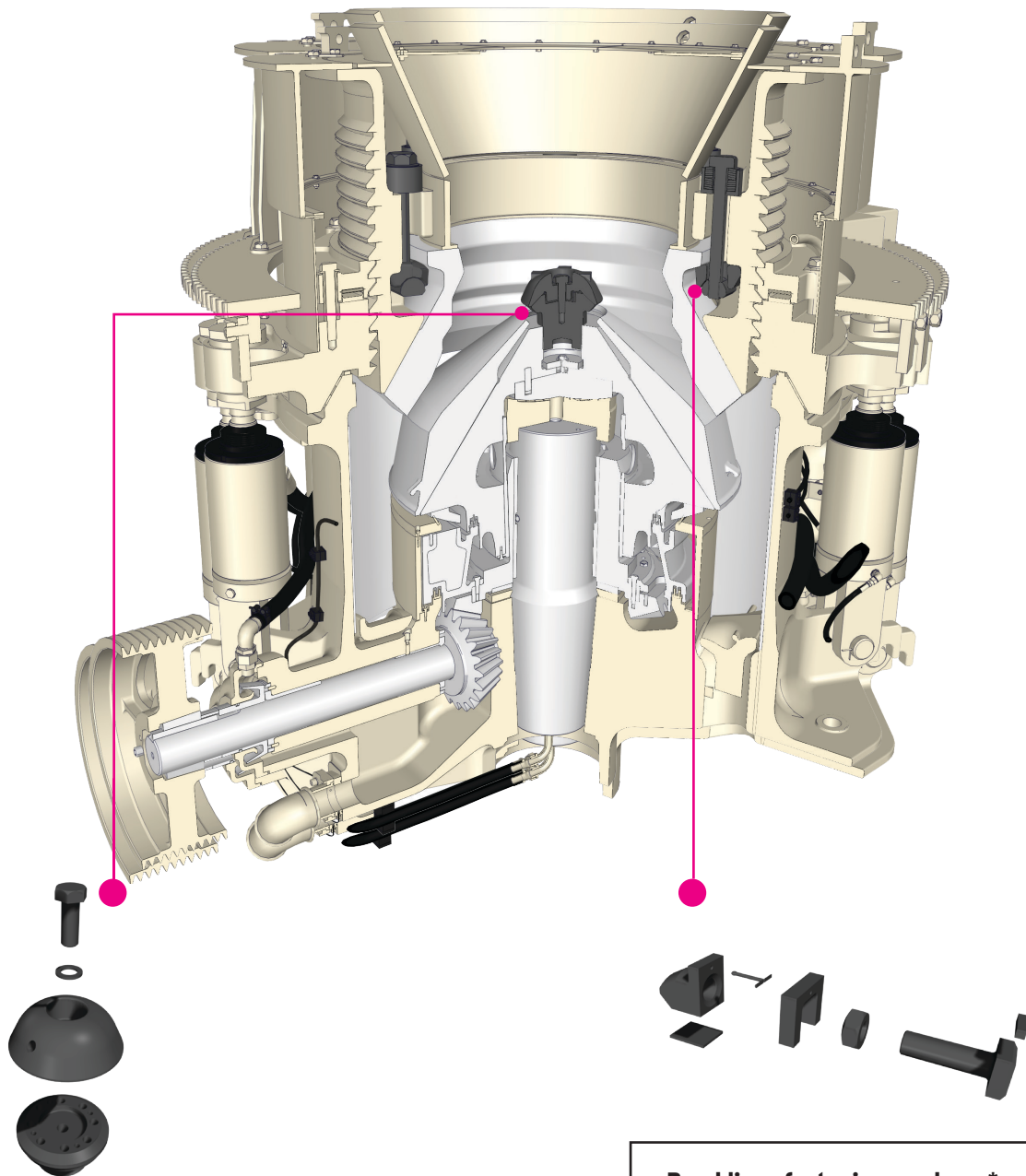
We have identified the important spares to have available for wear part changes. Ease of assembly and disassembly of the main components contribute for reduced downtime.

### Safety

To achieve unsurpassed safety, carefully selected materials are used to ensure safety standards are not compromised.

### Benefits

- 100 years of equipment expertise
- High kit availability through our global distribution centers
- Maximize production time by reducing unplanned stoppages
- Minimize costs as kits contain the key parts needed



#### Lock bolt package\*

- Lock bolt
- Feed cone
- Hexagonal bolt
- Spring washer

#### Bowl liner fastening package\*

- Wedges
- Shims
- Square head screws
- Spherical nuts
- Lock nuts
- Split pins
- Squares
- Seal

(\* ) Parts and quantities in each package may vary between different machine sizes. For further information, please contact your nearest Metso Outotec representative.

[www.mogroup.com](http://www.mogroup.com)

Specifications in this document are subject to change without notice. Product names in this publication are all trademarks of Metso Outotec Corporation.

**Metso:Outotec**

# Metso:Outotec

## Wear parts fastening kit

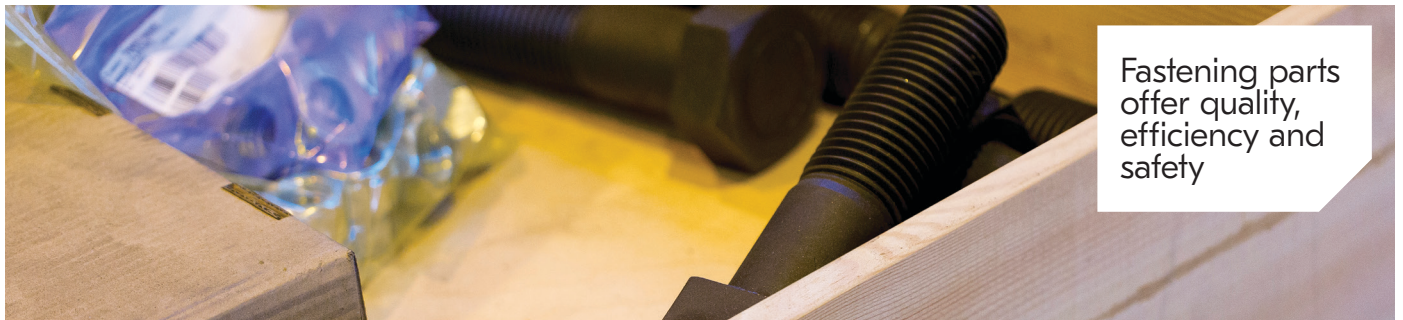
Application

For HPX series  
cone crushers



Metso Outotec OEM fastening parts are easy to use and backed by our quality and years of improvements to supply the best fit.

Our OEM fastening parts consistently provide the proper strength to keep wear parts continuously working for maximum production.



Fastening parts offer quality, efficiency and safety

### Available parts

- Lock bolt fastening package
- Bowl liner fastening package

### Quality

Metso Outotec works with quality suppliers to ensure our high standards and strict tolerances are met.

### Efficiency

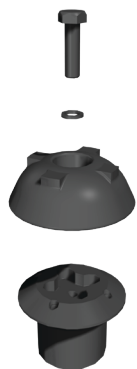
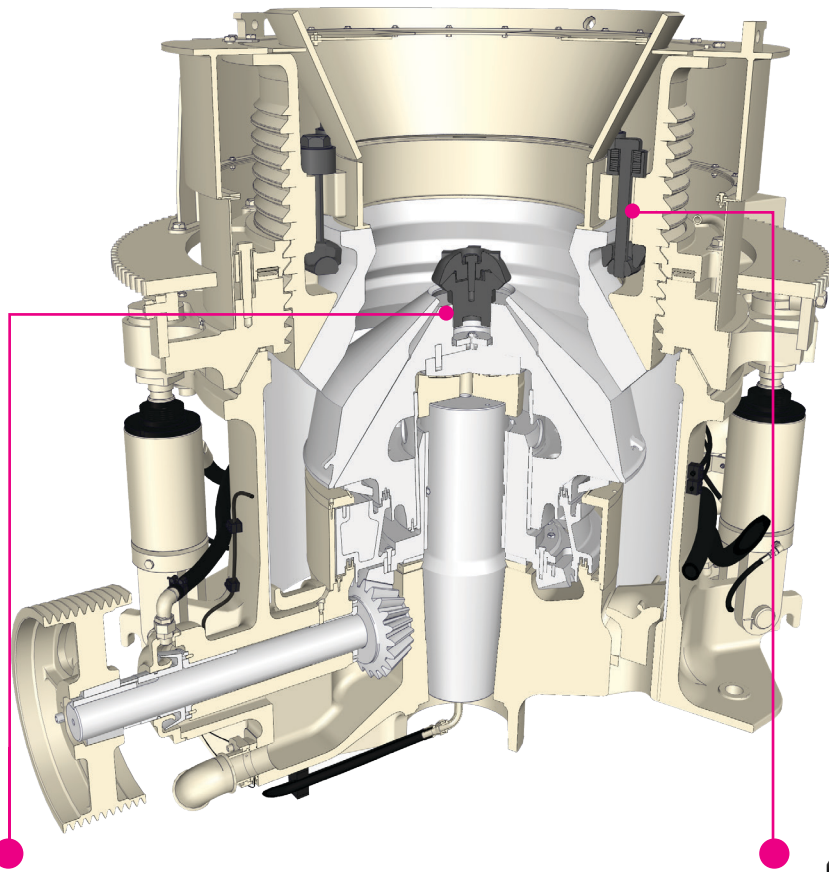
We have identified the important spares to have available for wear part changes. Ease of assembly and disassembly of the main components contribute for reduced downtime.

### Safety

To achieve unsurpassed safety, carefully selected materials are used to ensure safety standards are not compromised.

### Benefits

- 100 years of equipment expertise
- High kit availability through our global distribution centers
- Maximize production time by reducing unplanned stoppages
- Minimize costs as kits contain the key parts needed



**Lock bolt package\***

- Lock bolt
- Feed cone
- Hexagonal screw
- Spring washer



**Bowl liner fastening package\***

- Round bars
- Clamping forks
- Washers
- Hexagonal bolts
- Cup springs
- Seal

(\* Parts and quantities in each package may vary between different machine sizes. For further information, please contact your nearest Metso Outotec representative.

[www.mogroup.com](http://www.mogroup.com)

Specifications in this document are subject to change without notice. Product names in this publication are all trademarks of Metso Outotec Corporation.

**Metso:Outotec**